

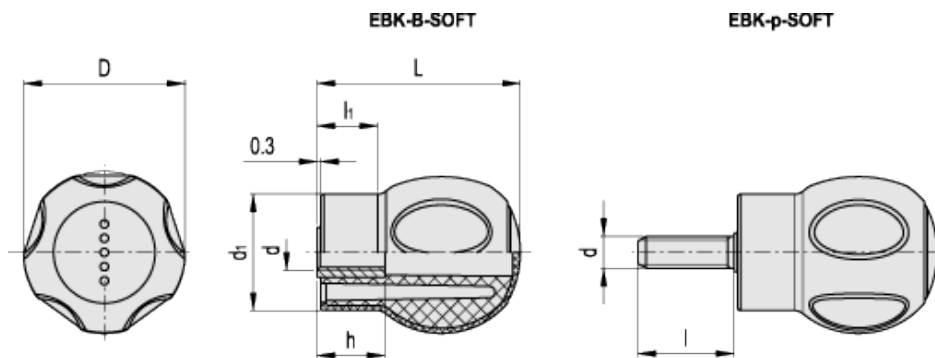
EBK.SOFT

Two-volume handles



ELESA Original design

SOFT ERGOSTYLE®



technical informations

Material

High-resilience polypropylene based (PP) technopolymer, coated with "soft-touch" thermoplastic elastomer (TPE) chemically bonded, hardness 70 Shore A.

The coating material is certified in compliance with FDA (U.S. Food and Drug Administration).

Resistant to solvents, oils, greases and other chemical agents.

Colour

Black, matte finish.

Standard executions

- EBK-B-SOFT: brass boss, threaded blind hole.
- EBK-p-SOFT: zinc-plated steel threaded stud, chamfered flat end UNI 947 : ISO 4753 (see [Technical Data](#)).

Features and applications

Handles coated with "soft-touch" elastomer: it improves the grip even in the presence of oils, greases and sweat from the hand. Particularly suitable for applications on fitness machines, tools and machines for gardening and goods transport, high-

precision instruments and disability aids.

Standard Elements		Main dimensions				Mounting hole		Weight
Code	Description	D	L	d ₁	l ₁	d _{6H}	h	g
245103-C1	EBK.43 B-M8-SOFT-C1	43	55	32.5	17.5	M8	10	72
245105-C1	EBK.43 B-M10-SOFT-C1	43	55	32.5	17.5	M10	10	71
245203-C1	EBK.50 B-M8-SOFT-C1	50	64	37	20	M8	20	86
245205-C1	EBK.50 B-M10-SOFT-C1	50	64	37	20	M10	20	83
245207-C1	EBK.50 B-M12-SOFT-C1	50	64	37	20	M12	20	79

Standard Elements		Main dimensions				Threaded stud		Weight
Code	Description	D	L	d ₁	l ₁	d _{6g}	l	g
245131-C1	EBK.43 p-M8x16-SOFT-C1	43	55	32.5	17.5	M8	16	80
245133-C1	EBK.43 p-M8x20-SOFT-C1	43	55	32.5	17.5	M8	20	81
245135-C1	EBK.43 p-M8x25-SOFT-C1	43	55	32.5	17.5	M8	25	83
245137-C1	EBK.43 p-M8x30-SOFT-C1	43	55	32.5	17.5	M8	30	85
245143-C1	EBK.43 p-M10x20-SOFT-C1	43	55	32.5	17.5	M10	20	83
245144-C1	EBK.43 p-M10x25-SOFT-C1	43	55	32.5	17.5	M10	25	86
245147-C1	EBK.43 p-M10x30-SOFT-C1	43	55	32.5	17.5	M10	30	89
245151-C1	EBK.43 p-M10x50-SOFT-C1	43	55	32.5	17.5	M10	50	98
245231-C1	EBK.50 p-M8x16-SOFT-C1	50	64	37	20	M8	16	80
245233-C1	EBK.50 p-M8x20-SOFT-C1	50	64	37	20	M8	20	86
245235-C1	EBK.50 p-M8x25-SOFT-C1	50	64	37	20	M8	25	91
245237-C1	EBK.50 p-M8x30-SOFT-C1	50	64	37	20	M8	30	97
245243-C1	EBK.50 p-M10x20-SOFT-C1	50	64	37	20	M10	20	110
245244-C1	EBK.50 p-M10x25-SOFT-C1	50	64	37	20	M10	25	116
245247-C1	EBK.50 p-M10x30-SOFT-C1	50	64	37	20	M10	30	122
245251-C1	EBK.50 p-M10x50-SOFT-C1	50	64	37	20	M10	50	143

This product had the following design awards:



ELESA and GANTER models all rights reserved in accordance with the law. Always mention the source when reproducing our drawings.

STANDARD MACHINE ELEMENTS WORLDWIDE